

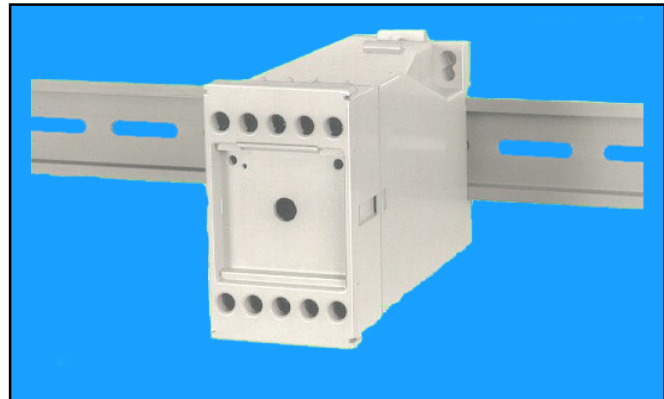


DIN Rail Mounting Module

DC70

TECHNICAL FEATURES

- A THREE PART SNAP TOGETHER MODULE, COMPRISING CASE, UPPER TERMINAL BLOCK WITH 10 TERMINALS, AND A SNAP-ON TERMINAL COVER
- MODULE MAY BE MOUNTED DIRECTLY TO DIN RAIL CONFORMING TO EN50 022 OR DIN 46277, OR SURFACE MOUNTED USING THE TWO EXTERNAL FIXING HOLES
- TEMPERATURE RANGE - 10 °C TO + 85 °C
- TERMINALS ACCEPT WIRES UP TO 2.5mm
- WILL RETAIN UP TO 2 PCBs



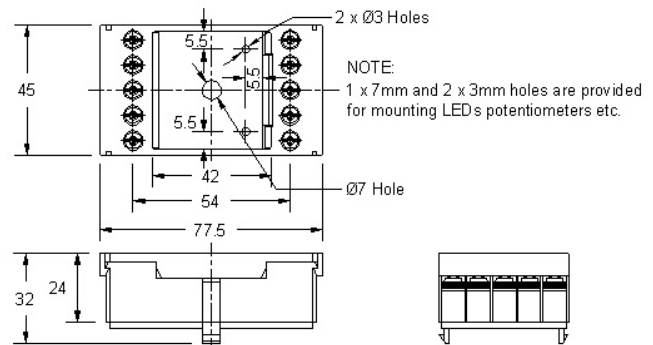
ORDERING DETAILS

DC70

TECHNICAL SPECIFICATION

CASE MATERIAL	Light grey ABS
TERMINAL & TERMINAL COVER	Light grey polycarbonate
PCBS	Maximum of 2. See drawing below
NUMBER OF TERMINALS	10
TERMINAL CURRENT RATING	25 Amps maximum
OPERATING TEMPERATURE	-10 °C to + 85 °C
STANDARDS	VDE 0113 5.1.1.

TERMINAL BLOCK & COVER DETAILS



PCB DETAILS

